



Sight Glass with Flap

Threaded Connection · for Liquids



measuring
•
monitoring
•
analysing

DAK-1



- p_{\max} : 40 bar; t_{\max} : 280°C
- Connection:
G 1/4 ... G 2, 1/4 NPT ... 2 NPT
- Material:
grey cast iron, cast steel,
stainless steel



KOBOLD companies worldwide:

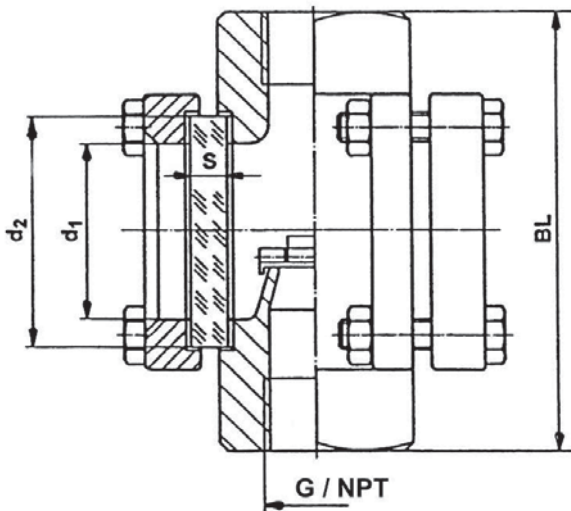
ARGENTINA, AUSTRIA, BELGIUM, BULGARIA, CANADA, CHILE, CHINA, COLUMBIA, CZECHIA, DOMINICAN REPUBLIC, EGYPT, FRANCE, GERMANY, GREAT BRITAIN, HUNGARY, INDIA, INDONESIA, ITALY, MALAYSIA, MEXICO, NETHERLANDS, PERU, POLAND, ROMANIA, SINGAPORE, SOUTH KOREA, SPAIN, SWITZERLAND, TAIWAN, THAILAND, TUNISIA, USA, VIETNAM

KOBOLD Messring GmbH
Nordring 22-24
D-65719 Hofheim/Ts.
Head Office:
+49(0)6192 299-0
+49(0)6192 23398
info.de@kobold.com
www.kobold.com



Materials / Mounting position

	DAK-11	DAK-13	DAK-12
Housing*:	grey cast iron 0.6025	cast steel 1.0619	stainless steel 1.4408
Cover plates:	grey cast iron 0.6025	cast steel 1.0619	stainless steel 1.4408
Sight glass:	Soda-lime glass DIN 8902 (up to 150 °C) option: borosilicate glass DIN 7080 (up to 280 °C)		
Screws:	zinc plated steel		stainless steel
Seals:	graphite (PTFE or on request)		
Mounting position:	horizontal or vertical with flow from bottom to top		



Dimensions (Material grey cast iron) for pressure rating PN 16

G	BL [mm]	d1 [mm]	d2 [mm]	Glass thickness (S) at PN 16 [mm]	Approx. weight DAT-11... [kg]
G ¼ G ¾ G ½	100	32	45	10	2.2
G ¾ G1	120	45	63	10	3.4
G 1¼ G 1½	160	65	80	12	7.0
G 2	180	80	100	15	8.6

Dimensions (Material cast steel or stainless steel) for pressure rating PN 16 (PN 25 / PN 40 on request)

G	BL [mm]	d1 [mm]	d2 [mm]	Glass thickness (S) at PN 16 [mm]	Approx. weight DAT-12... DAT-13... [kg]
G ¼ G ¾ G ½	100	32	45	10	2.2
G ¾ G1	120	45	63	10	3.4
G 1¼ G 1½	160	65	80	12	7.0
G 2	230	80	100	15	10.2

Order Details (Example: DAK-1101H R08)

Nominal size	DAK-11	DAK-13	DAK-12	Connection		Option
	Grey cast iron	Cast steel	Stainless steel	G-thread	NPT-thread*	
	Soda-lime glass, graphite-seal					Please add option letter to order number Option 'B' = borosilicate glass, graphite-seal Option 'P' = 25 bar for DAK-12.. and DAK-13.. Option 'Q' = 40 bar for DAK-12.. and DAK-13..
¼"	DAK-1101H..	DAK-1301H..	DAK-1201H..	R08	N08	
⅜"	DAK-1102H..	DAK-1302H..	DAK-1202H..	R10	N10	
½"	DAK-1103H..	DAK-1303H..	DAK-1203H..	R15	N15	
¾"	DAK-1104H..	DAK-1304H..	DAK-1204H..	R20	N20	
1"	DAK-1105H..	DAK-1305H..	DAK-1205H..	R25	N25	
1 ¼"	DAK-1106H..	DAK-1306H..	DAK-1206H..	R32	N32	
1 ½"	DAK-1107H..	DAK-1307H..	DAK-1207H..	R40	N40	
2"	DAK-1108H..	DAK-1308H..	DAK-1208H..	R50	N50	

* not for DAT-11 grey cast iron instruments



Zertifiziertes
QM-System
DIN EN ISO 9001
Zertifikat-Nr. 01017

Sight Glass with Drip Tube Flanged Connection · for Liquids



measuring
•
monitoring
•
analysing

DAT-2



- p_{\max} : 40 bar; t_{\max} : 280 °C
- Connection: DN 15 ... DN 200
ANSI-flange on request
- Material:
grey cast iron, cast steel,
stainless steel



KOBOLD companies worldwide:

ARGENTINA, AUSTRIA, BELGIUM, BULGARIA, CANADA, CHILE, CHINA, COLUMBIA, CZECHIA, DOMINICAN REPUBLIC, EGYPT, FRANCE, GERMANY, GREAT BRITAIN, HUNGARY, INDIA, INDONESIA, ITALY, MALAYSIA, MEXICO, NETHERLANDS, PERU, POLAND, ROMANIA, SINGAPORE, SOUTH KOREA, SPAIN, SWITZERLAND, TAIWAN, THAILAND, TUNISIA, USA, VIETNAM

KOBOLD Messring GmbH
Nordring 22-24
D-65719 Hofheim/Ts.
Head Office:
+49(0)6192 299-0
+49(0)6192 23398
info.de@kobold.com
www.kobold.com

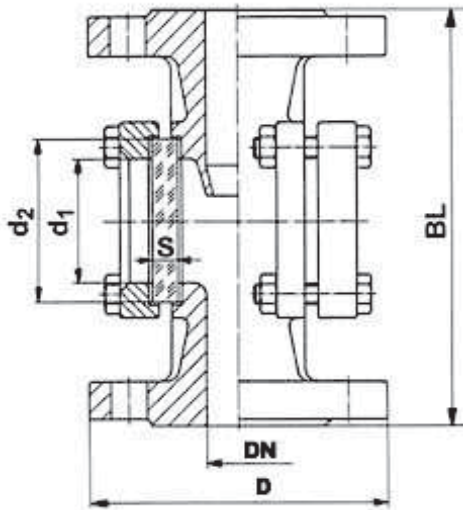


Sight Glass with Drip Tube · Flanged Connection Model DAT-2

Material / Mounting position

	DAT-21	DAT-23	DAT-22
Housing:	grey cast iron 0.6025	cast steel 1.0619	stainless steel 1.4408
Cover plates:	grey cast iron 0.6025 / cast steel 1.0619	cast steel 1.0619	stainless steel 1.4408
Sight glass:	Soda-lime glass DIN 8902 (up to 150 °C) option: borosilicate glass DIN 7080 (up to 280 °C)		
Screws:	zinc plated steel		stainless steel
Seals:	graphite (PTFE or other on request)		
Mounting position:	any position, preferably vertical, flow from top		

Dimensions for pressure rating PN 16



DN	D [mm]	BL [mm]	d1 [mm]	d2 [mm]	Glass thickness (S) at PN16* [mm]	Approx. weight [kg]	
						DAT-21..	DAT-22.. DAT-23..
15	95	130	32	45	10	3.6	3.6
20	105	150	32	45	10	4.0	4.0
25	115	160	48	63	10	6.0	6.3
32	140	180	48	63	10	7.0	7.4
40	150	200	65	80	12	10.0	10.6
50	165	230	80	100	15	13.2	14.4
65	185	290	80	100	15	22.1	24.0
80	200	310	100	125	20	29.9	31.6
100	220	350	125	150	25	38.4	41.7
125	250	400	150	175	25	47.0	47.0
150	285	480	175	200	25**	59.0	67.0
200	340	600	175	200	25**	98.0	118.0

* Pressure rating PN 25 / PN 40 on request!

** with soda-lime glass only PN 10, PN 16 with option 'B' possible

Order Details (Example: DAT-2201H F15)

Nominal size	DAT-21	DAT-23	DAT-22	Connection		Option
	Soda-lime glass, graphite-seal			Flange EN 1092-1	ANSI-Flange (only on request)	Please add option letter to order number
Grey cast iron	Cast steel	Stainless steel				
15	DAT-2101H..	DAT-2301H..	DAT-2201H..	F15	A15	Option 'B' = borosilicate glass, graphite-seal Option 'P' = 25 bar for DAT-22.. and DAT-23.. Option 'Q' = 40 bar for DAT-22.. and DAT-23..
20	DAT-2102H..	DAT-2302H..	DAT-2202H..	F20	A20	
25	DAT-2103H..	DAT-2303H..	DAT-2203H..	F25	A25	
32	DAT-2104H..	DAT-2304H..	DAT-2204H..	F32	A32	
40	DAT-2105H..	DAT-2305H..	DAT-2205H..	F40	A40	
50	DAT-2106H..	DAT-2306H..	DAT-2206H..	F50	A50	
65	DAT-2107H..	DAT-2307H..	DAT-2207H..	F65	A65	
80	DAT-2108H..	DAT-2308H..	DAT-2208H..	F80	A80	
100	DAT-2109H..	DAT-2309H..	DAT-2209H..	F1H	A1H	
125	DAT-2110H..	DAT-2310H..	DAT-2210H..	F1Z	A1Z	
150**	DAT-2111H..	DAT-2311H..	DAT-2211H..	F1F	A1F	
200**	DAT-2112H..	DAT-2312H..	DAT-2212H..	F2H	A2H	

** with Instrument glass only PN 10, PN 16 with option 'B' possible