



## Polysulfone Paddle Monitor



measuring  
•  
monitoring  
•  
analysing



- Switching range:  
18-36 to 72-108 L/min
- Accuracy:  
±20 % of measured value
- Reproducibility:  
±3 % of measured value
- p<sub>max</sub>: 10 bar
- t<sub>max</sub>: 105 °C
- Connection:  
G 1, 1 NPT male for  
nominal pipe sizes > NW 32
- Material:  
PSU, transparent
- Small pressure loss

KOBOLD companies worldwide:

ARGENTINA, AUSTRIA, BELGIUM, CANADA, CHILE, CHINA, CZECHIA,  
FRANCE, GERMANY, GREAT BRITAIN, INDIA, INDONESIA, ITALY,  
MALAYSIA, MEXICO, NETHERLANDS, POLAND, SINGAPORE, SLOVAKIA,  
SPAIN, SWITZERLAND, THAILAND, USA, VENEZUELA, VIETNAM

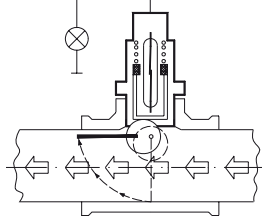
KOBOLD Messring GmbH  
Nordring 22-24  
D-65719 Hofheim/Ts.  
☎ +49(0)6192 299-0  
Fax +49(0)6192 23398  
E-Mail: info.de@kobold.com  
Internet: www.kobold.com

**Model:**  
PPS



**Description**

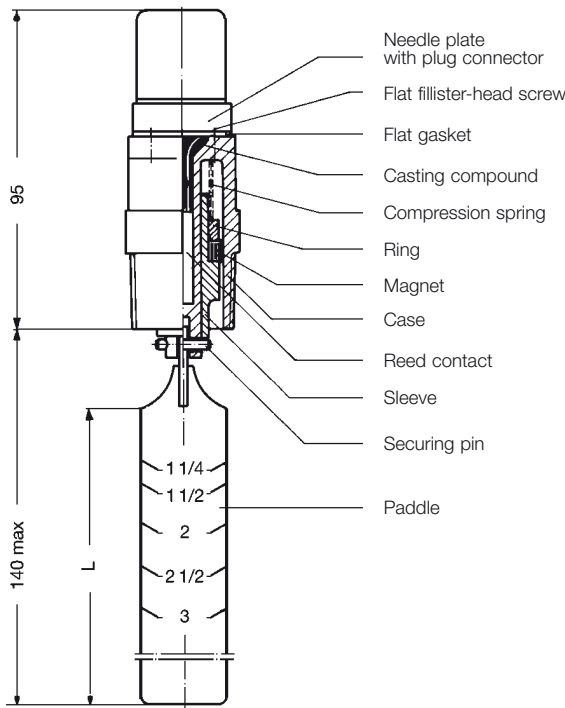
The flow monitor PPS is a flow monitor for nominal pipe sizes greater than NW 32.



Fluid flow (regardless of direction) deflects the paddle and over an eccentric moves a magnet holder fitted to a permanent magnet. The magnet actuates non-contacting a dry-reed switch embedded in the switching tube. The paddle switch is available with

N/O contact or N/C contact. The inlet and outlet pipe section should be approximately three times the nominal size of the piping. The flow monitor can be fitted in a standard T piece or reducing pipe. Ideally the flow monitor should be fitted in horizontal piping.

**Dimensions**



**Switching points**

Nominal pipe size (customer side)	Cutting mark (L)	Switching point	
		L/min H <sub>2</sub> O falling	L/min H <sub>2</sub> O rising
32	28 mm	18	36
40	35 mm	36	54
50	47 mm	36	72
65	60 mm	54	90
80	73 mm	72	108

The flow throughput switching point is determined by the length of the paddle. During fitting the paddles are adapted to the nominal pipe size by cutting at the paddle marking (see table).

**Technical Details**

- Material: PSU, transparent
- Connection: G 1 or 1 NPT
- Medium temperature: maximum +105 °C
- Operating pressure: maximum 10 bar
- Maximum pressure drop: 0.1 bar
- Setting tolerance: ±20 % of measured value
- Repeatability: ±3 % of measured value
- Other materials exposed to the medium: stainless steel, ceramic magnet
- Electrical connection: connector socket according to DIN 43 650
- Protection type: IP 65
- Mounting position: vertical
- Switch: N/C, N/O or SPDT contact, hermetically sealed dry-reed switch
- Max. Switching capacity: 230 V<sub>AC/DC</sub>, 2 A, 40 W/VA (N/C, N/O)  
100 V<sub>DC</sub>, 0.5 A, 50 W (changeover contact)

**Applications**

- Monitoring cooling circuits
- Dry running protection for pumps
- Prevention of low water levels
- Monitoring pipe fractures
- Monitoring lubricant circuits

**Order Details** (Example: PPS-1201)

Contact operation (with rising flow rate)	Order number G 1 male	Order number 1 NPT male
N/C contact	PPS-1201	PPS-3205
N/O contact	PPS-1202	PPS-3206
Changeover contact	PPS-1203	PPS-3203